

## Manhole Top Roller

Reduces wear by preventing kinks and chafing, and assists in the smooth guiding of inspection cable during your survey. Fully adjustable to fit most manhole sizes.



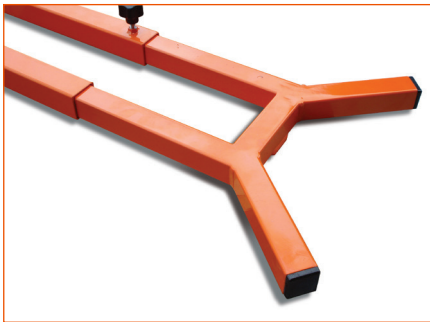
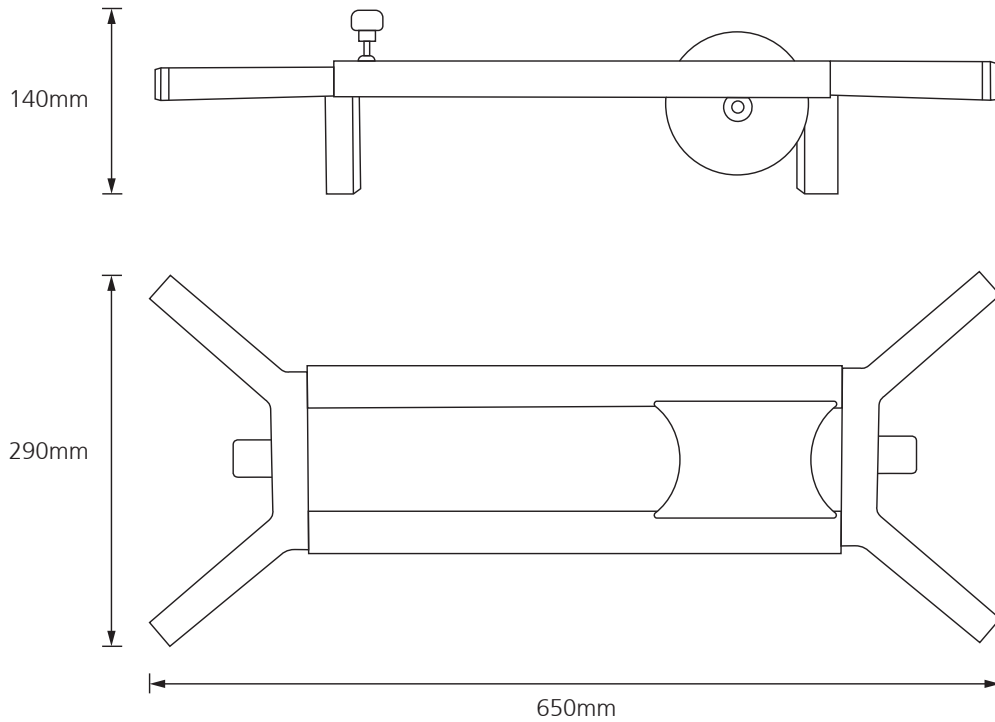
## Compatibility



## Technical Data

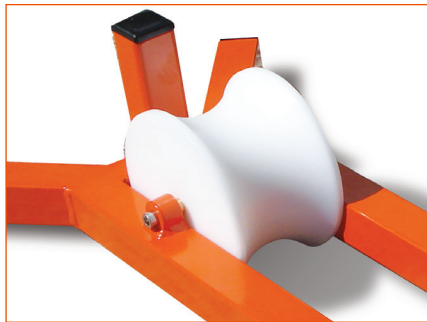
Dimensions L x W x H	650 x 290 x 140mm
Weight	4.45kg
Compatibility	Proteus

# Manhole Top Roller



## Adjustability

Ability to extend the length of the Top Roller to be able to fit across most manhole sizes.



## Roller

The roller helps prevent kinks in the cable by allowing a smooth payout and rewinding.

