

SeeSnake® Interface

Sturdy and robust construction, the Minicam SeeSnake Interface unit connects the SeeSnake Standard and Mini Camera to Minicam's intuitive and advance Proteus Control Units and SOLOPro+ Control Units.

Please Note: Onlu compatible with SeeSnake Standard and Minicam products



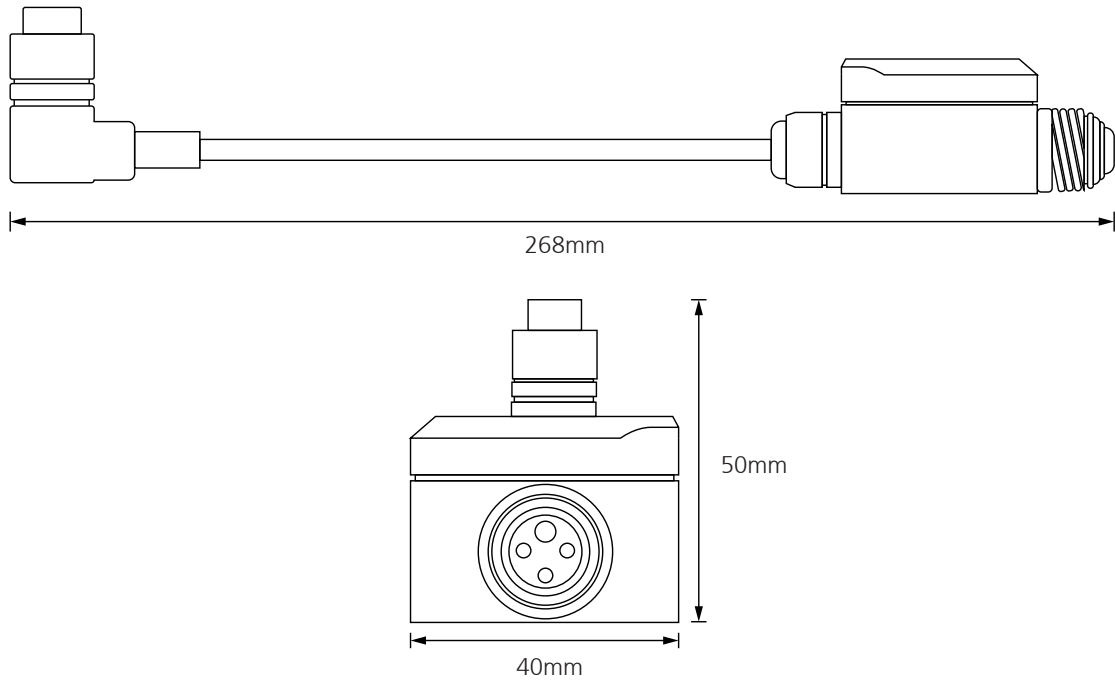
Compatibility



Technical Data

	SPP01	SPP02
Compatability	Proteus CCU	SOLOPro+ CCU
Dimensions	50 x 268 x 40 mm	50 x 268 x 40 mm
Weight	115g	115g

SeeSnake® Interface



Attached to the CCU

