

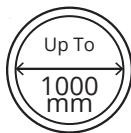
Crawler Cradle

The Crawler Cradle adapts Minicam's CPL150, and CRP140 crawlers for use in large diameter pipes. Versatile, quick and easy to attach, the cradle provides extra ground clearance enabling improved inspection capabilities in pipes and culverts up to 1000mm in diameter.

This robust, steerable, 4-wheel drive cradle is driven by the crawler, and features a unique gear selector, enabling the user to change between high speed and high torque operation. Exclusively compatible with Proteus CPL150S, and CRP140 crawlers, PCC01 comes supplied with four 220mm balloon wheels.



Compatibility

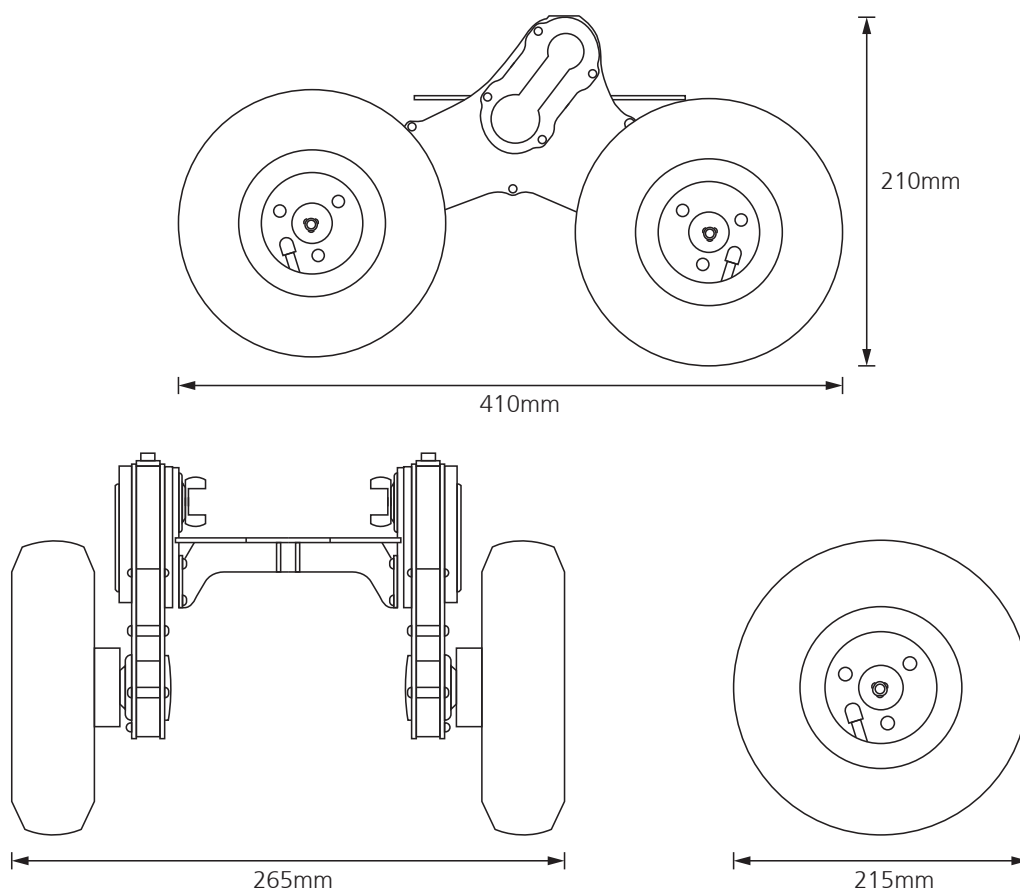


Technical Data

Dimensions	410 x 265 x 220mm
Weight	7.65kg
Compatibility	CRP140 / CLP150 Crawlers

Note: For heavily silted pipes we recommend the optional 250mm Balloon Wheel (QRW250/150), which are also required to centralise the crawler in 1000mm diameter pipes.

Crawler Cradle



Gear Selector

The adjustable torque allows you to decide between low speed and high torque or high speed and low torque.



Rear Connection

112021 © 2022 Minicam

