

## ATEX Crawler Cradle

The ATEX Zone1 Crawler Cradle adapts Minicam's CRP140-ExZ1 crawler for use in large diameter pipes. Versatile, quick and easy to attach, the cradle is engineered, built and tested for safe use in some of the most dangerous situations.

The CRP140 ATEX crawler makes working in ZONE 1 and other explosion-risk environments much easier and safer than alternative methods, giving you a clear, sharp eye into the unknown, without introducing risk through use of electronic devices.



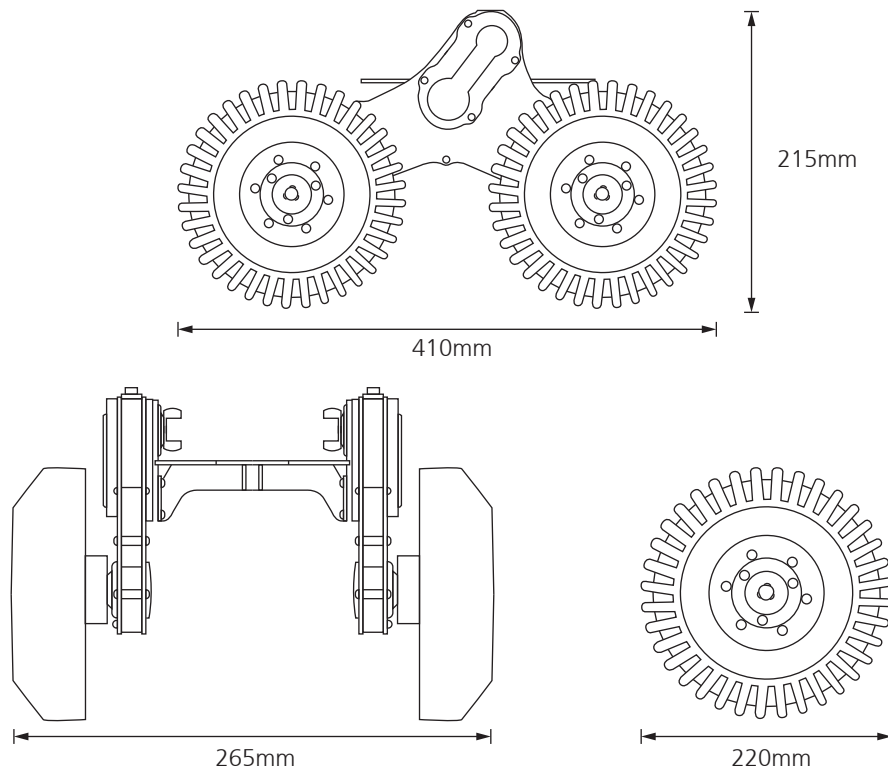
## Compatibility



## Technical Data

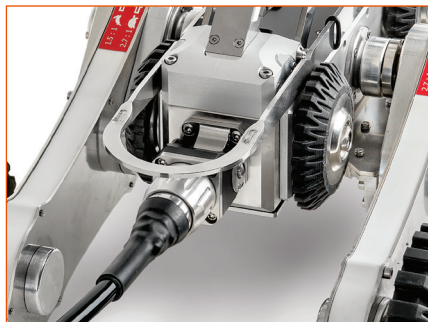
Dimensions	410 x 265 x 220mm
Weight	7.65kg
Compatibility	CRP140 / CLP150 Crawlers

# ATEX Crawler Cradle



## Gear Selector

The adjustable torque allows you to decide between low speed and high torque or high speed and low torque.



## Rear Connection

112021 © 2022 Minicam

