

Inline Camera Adaptor

Invaluable for hand-held walk-throughs and service department usage .

A useful accessory to have in your inspection kit. The Proteus Inline Camera Adaptor allows the user to connect a camera to the CCU without the need for a crawler. Precision engineered from high specification materials, this hand-held walk-throughs, and for use in a service department.

The PCA01 features dual housings to allow 2 auxiliary lights to be connected.



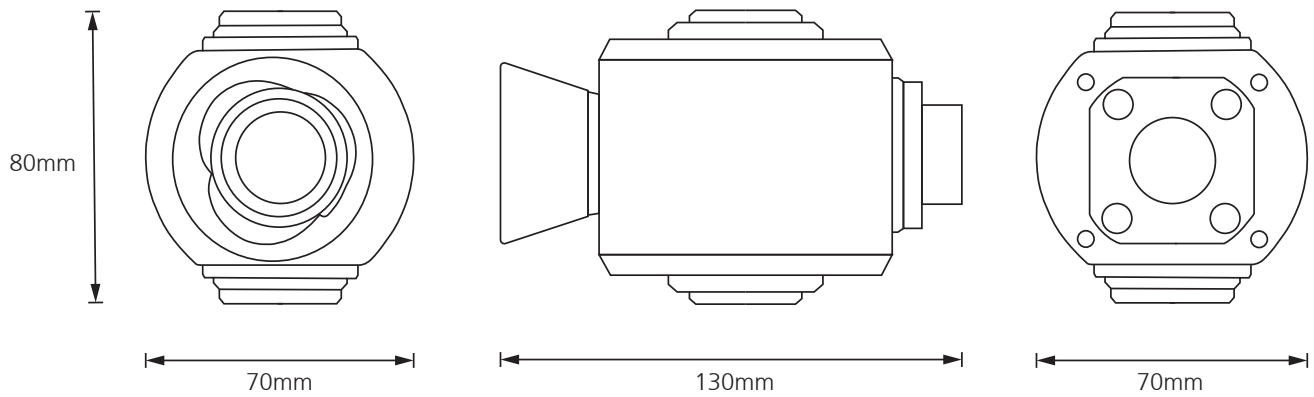
Compatibility



Technical Data

Compatibility	Proteus System
Dimensions (L x W x H)	130 x 70 x 80mm
Weight	790g
Features	Dual Auxiliary Light Housings

Inline Camera Adaptor



Front View



Top View



Rear View

112021 © 2022 Minicam

