

Proteus Lateral Cable Reel

A single line 350 metre reel, combining 305 metres of high strength, Kevlar reinforced inspection cable with a weight of 5.5kg per 100m and a breaking strength of 500kg. 45 metres of flexible 11 mm diameter push rod for the lateral camera. The LCR350 pays out matching the speed of the Proteus Lateral Crawler. The extendable arm of the guide roller has a 4-position locking system for ease of deployment at the rear of the vehicle.



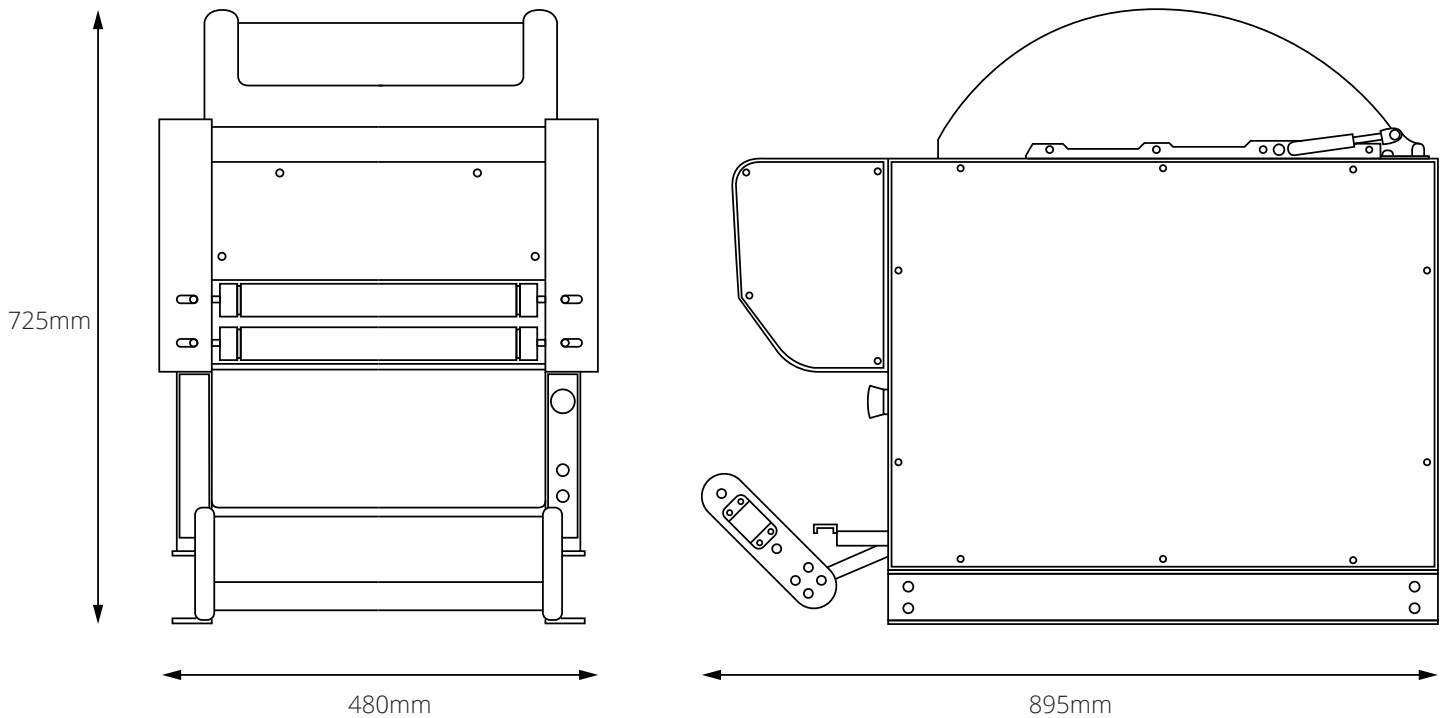
Compatibility



Technical Data

	US	UK
Operation	3 phase motor	
Payout / Rewind	Cable layering mechanism	
Emergency Stop Button	In-Built	
Push Rod Length	150ft	48m
Cable Length	1150ft	350ft
Cable Typer	Kevlar Reinforced	
Power Supply	100 - 240 VAC	
Power Consumption	600W	
Length	35 inch	895 mm
Width	19 inch	480 mm
Height	28 inch	725 mm
Weight	264.5 lbs	120 kg
Van Guide Pulley	Integral	

Lateral Cable Reel



Guide Roller

The extendable arm of the guide roller has a 4-position locking system for ease of deployment at the rear of the vehicle.



Combined Cable

The 1150-foot reel combines the 350-metre reinforced cable with 45 metres of push rod.



Automatic Pay Out

The LCR350 automatically pays out matching the speed of the Proteus Lateral Crawler.

112021 © 2022 Mini-Cam

