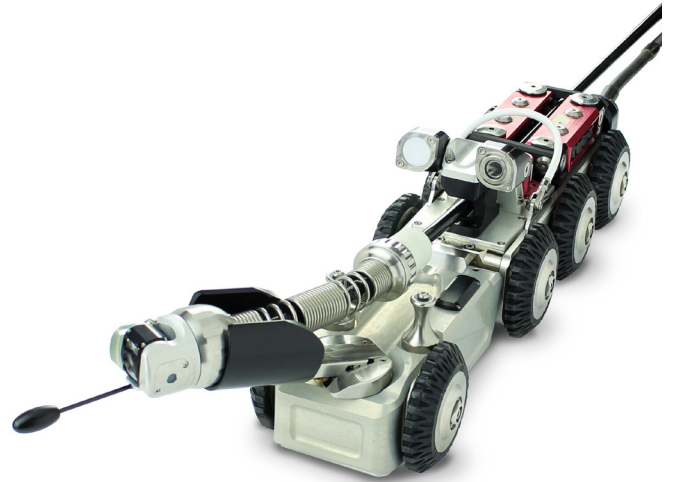


Proteus Lateral System

The LAT150 is a mainline to lateral inspection crawler designed to offer range, reliability and functionality. Whether you're offering pre-acceptance inspection, searching for cross bores or inflows or conducting a structural survey, Minicam's self-propelled LAT150 has you covered.

The LAT150 offers a multitude of options to help overcome challenging situations and give complete control of each launch. The system has flexible but easy to use options available such as, various configurations and sizes of wheels, deployment tubes and the lateral pin.

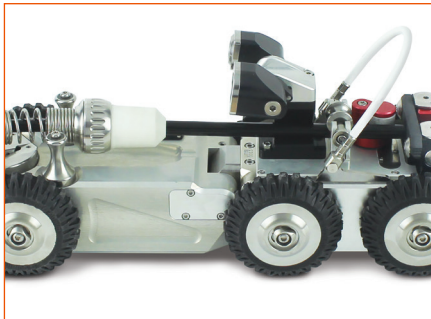
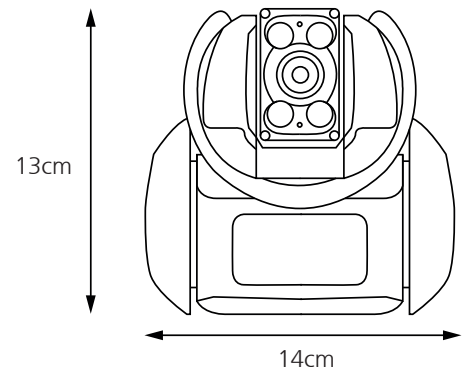
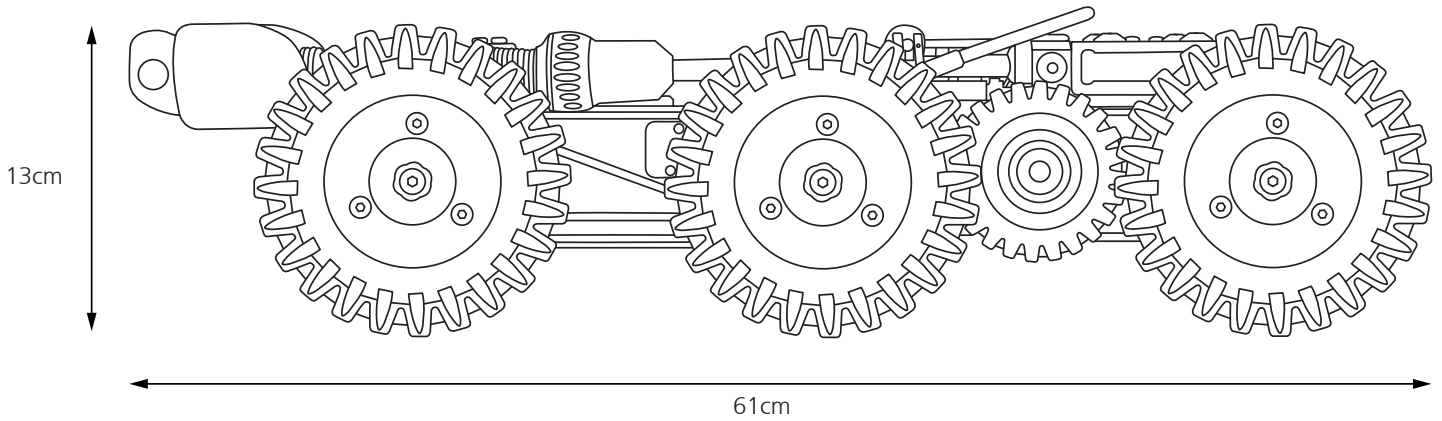
To enable accurate positioning of the camera in larger mainlines, the LAT150 can be fitted with various sized deployed tubes. The unique design of the pivot provides quick, easy and tool-less attachment of deployment tubes in any size.



Technical Data

	US	UK
Crawl Distance	1150ft	350m
Launch Distance	150ft	45m
Obsrvation Camera Lines		740TVL
Drivetrain Configuration		8x8x (8 Wheel Drive)
Wheel Compatability	3.5, 4.5, 5.5 inch	90, 115, 140 mm
Minimum Access Size	12 inch	300mm
IP Rating		IP68
Maximum Water Depth	33ft	10m
Internal Pressure (operational)	14.2PSI	1 bar
Sonde		33k 521 60Hz
Mainline Diameters	6 - 80 inch	150 - 2000mm
Material (front body)		Brass (Zinc Coated)
Material (rear body)		Brass (Zinc Coated)
Material (lateral drive module)	Adnodized Aluminum	Anodised Aluminium
Dimensions L x W x H	24 x 5.5 x 5.1 inch	61 x 14 x 13 cm
Height with Observation Camera	6.3 inch	16 cm
Continuous monitoring of speed, internal pressure inclination and temperature		
Dual axis inclination sensor		
Rear articulated knuckle connector		
Quick change wheel lock		

LAT150 Crawler



Hinged Mid-Section

The hinged mid-section allows for easier mainline entry access and reduces overall length making it easier in 6 inch pipes with front wheels drive so there is no need to lock the hinge when inserting into mainline pipe.



Lateral Drive Belt

The drive belt's flexible tread grips the push rod but prevents dust and dirt from building up with user replaceable belt tensioners allows for quick changeover on site.



Meterage Counter

Close to deployment for an accurate lateral distance measurement.

112021 © 2022 Mini-Cam



Minicam, Unit 4, Yew Tree Way, Stonecross Park, Golborne, Warrington, WA3 3JD
 Tel: + 44 (0) 1942 270524 • Email: info@minicam.co.uk
www.minicamgroup.com