

Proteus Crawler

CRP90's compact size allows it to easily survey 100mm pipes. The motorised elevator enables the camera to be centred in pipes of up to 225mm diameter.

ALL STANDARD FEATURES:

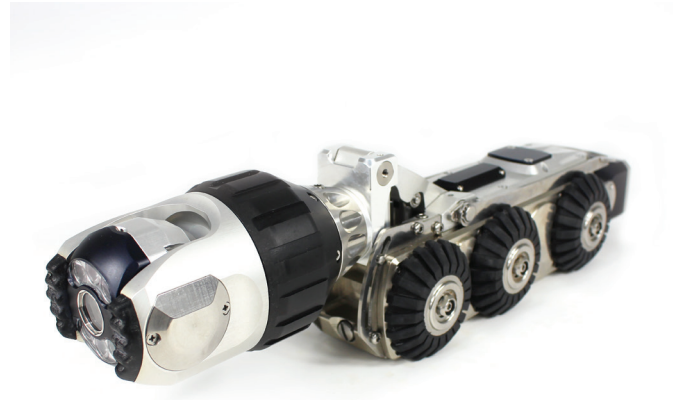
- Continuous monitoring of speed, internal pressure, inclination and temperature
- Dual Axis Inclination Sensor
- Single Auxiliary Light/Backeye Mounting
- Multi-Frequency Sonde 33kHz / 512Hz / 640Hz
- Steerable High Torque
- All-Wheel Drive
- Robust Housing
- 1 bar Pressure Tight
- Quick Change Wheel Lock
- In-Built Lowering Arm
- Heavy Duty Camera Connector
- Protective Front Connector Cap
- Protective Rear Connector Cap
- Lowering Rope
- Tools

PLUS

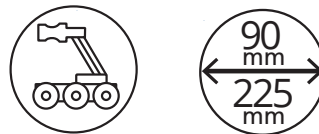
- 6x QRWX60SR 60mm Rubber Wheels
- Motorised Elevator - Range 40-77mm
- Articulate 'Knuckle' Connector

OPTIONAL

- Carbide Wheels
- High Grip Wheels



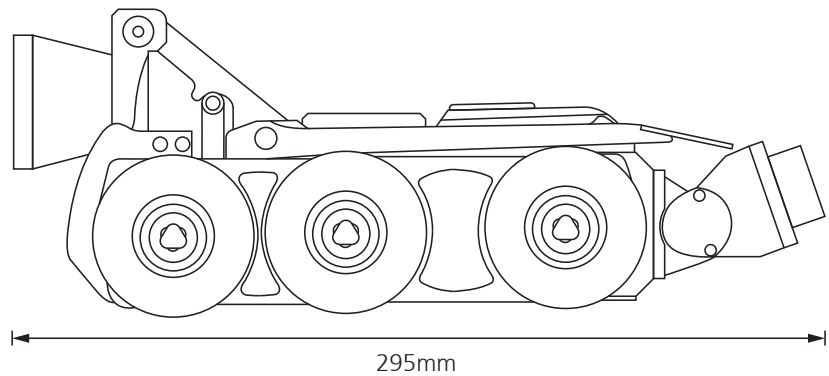
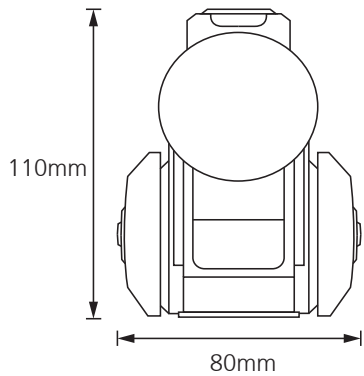
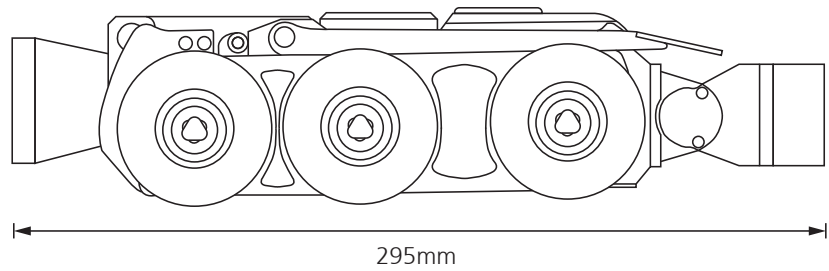
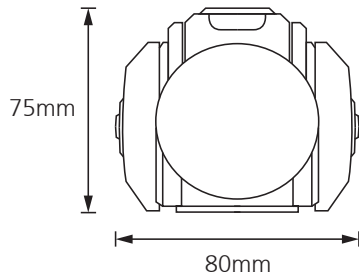
Compatibility



Technical Data

Pipe Sizes	90mm - 225mm
Weight	4.50kg

Proteus Crawler



Soft Black Rubber Wheels

Rich black, soft rubber tyres developed to provide improved traction in regular pipes.

Available in 4 sizes and Wide Axle. Other Performance Wheels available.

112021 © 2022 Minicam

