

Camera Elevation Platform

This telescopic elevator quickly attaches to the CRP300 Crawler and can be manually moved up or down to increase inspection capabilities up to 2000mm. Interface for cameras and auxiliary lights.



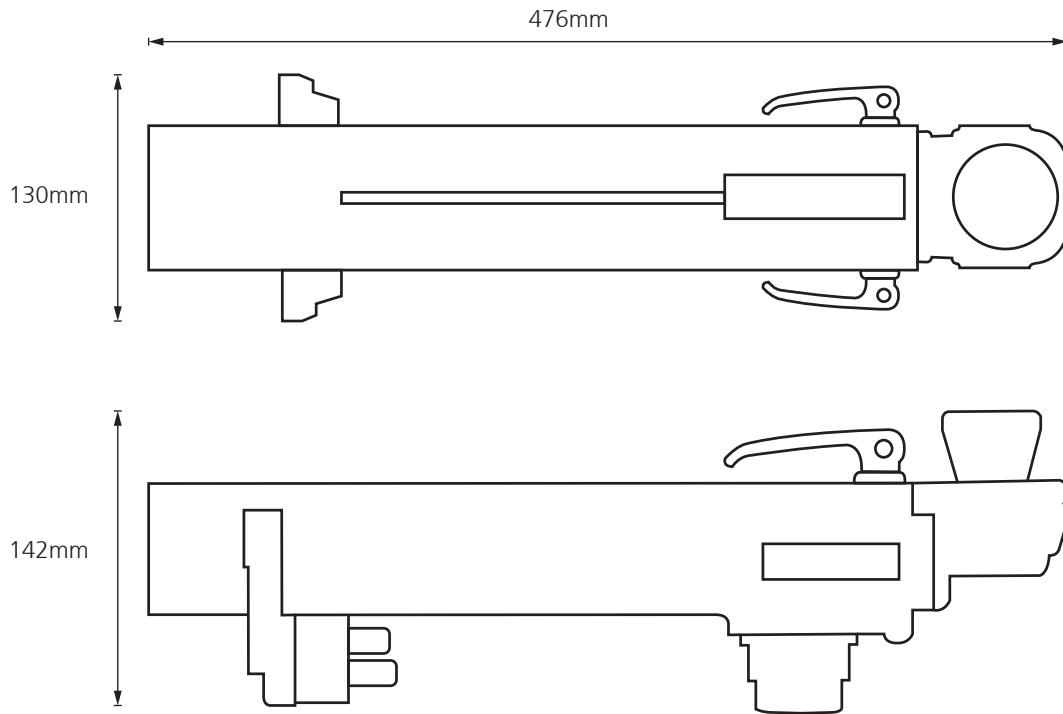
Compatibility



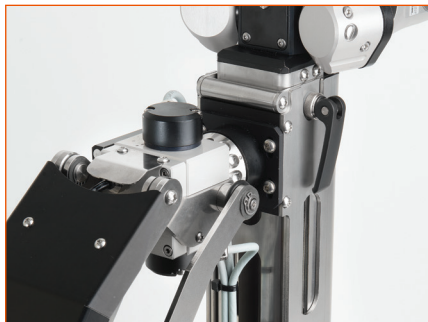
Technical Data

Connections	Camera connections (front) Lifter connection (rear) 2x additional lamp connections (side) 1x additional lamp connection with Backeye Camera (top connector)
Top camera position (pipe centre) using with pneumatic balloon wheels	1090mm
Mid camera position (pipe centre) with extended wheels	Approx 830mm
Low camera position (pipe centre) with pneumatic wheels	565mm
Dimensions	142 x 130 x 476mm
Weight	5.7kg

Camera Elevation Platform



Unattached



Fixing



Extended

