

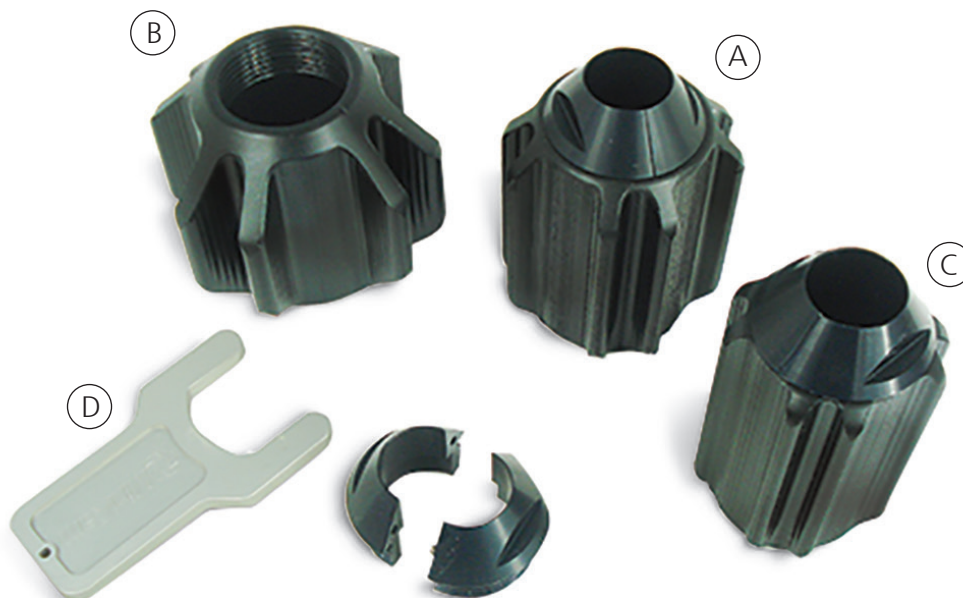
Centering Skids

Centering Skids optimise your view in pipes 75mm and larger. Manufactured from ABS plastic, which can be washed and wiped clean, the skids are sturdy and rugged to withstand the punishment of daily field work. Quick and easy to fit. Minicam's Proteus Compatible Coiler (CCP100/CCP60) is shipped with a complete set of 3 centering skids and a skid removal tool.

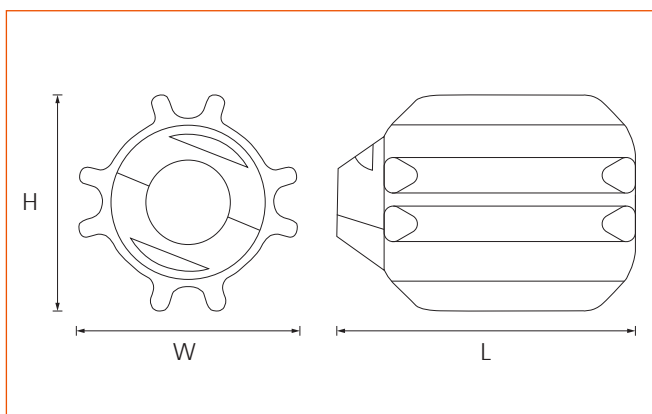
Technical Data

A	ASS-000-001A	4inch Centering Skid
B	ASS-000-002A	6inch Centering Skid
C	ASS-000-003A	Protection Skid
D	FAL-000-667	Skid Removal Tool

Compatibility

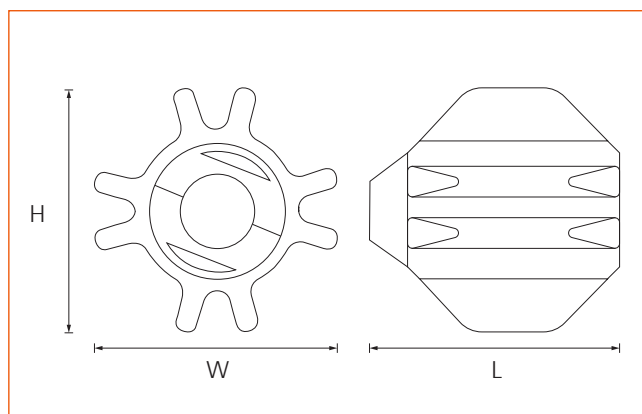


Centering skids



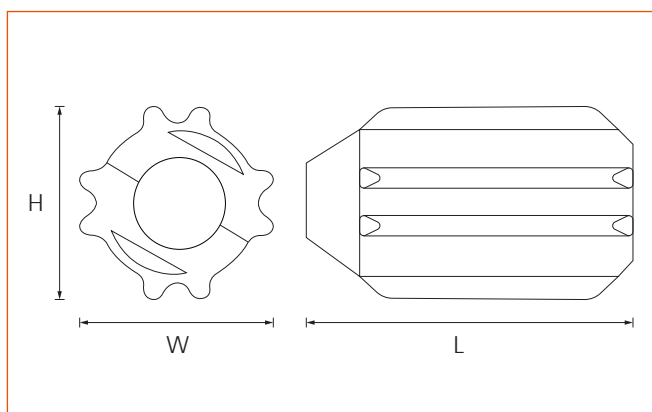
ASS-000-001A

Dimensions - L x W x H
102mm(4inch) x 70mm x 70mm



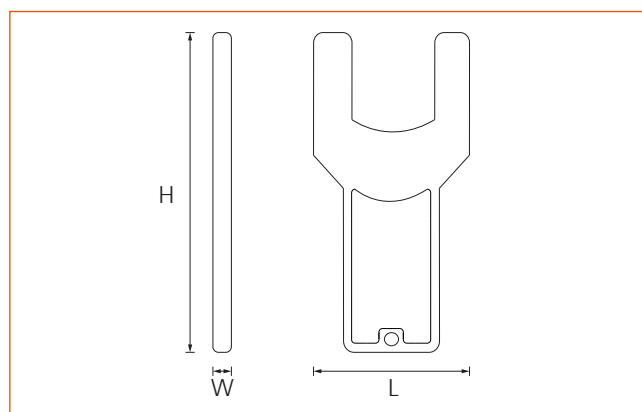
ASS-000-002A

Dimensions - L x W x H
152mm(6inch) x 100mm x 100mm



ASS-000-003A

Dimensions - L x W x H
102mm(4inch) x 60mm x 60mm



FAL-000-667

Dimensions - L x W x H
61mm x 6mm x 102mm

