

## Compatible Coiler

Push rod coiler CCP60R with removable CAM025 Self Levelling Axial camera head, designed to plug directly into the Proteus CCU. Also available as CCP60D (Duo) allowing a CAM026 Pan & Rotate camera to be attached. Robust construction with mobility wheels, and a durable power coated finish.



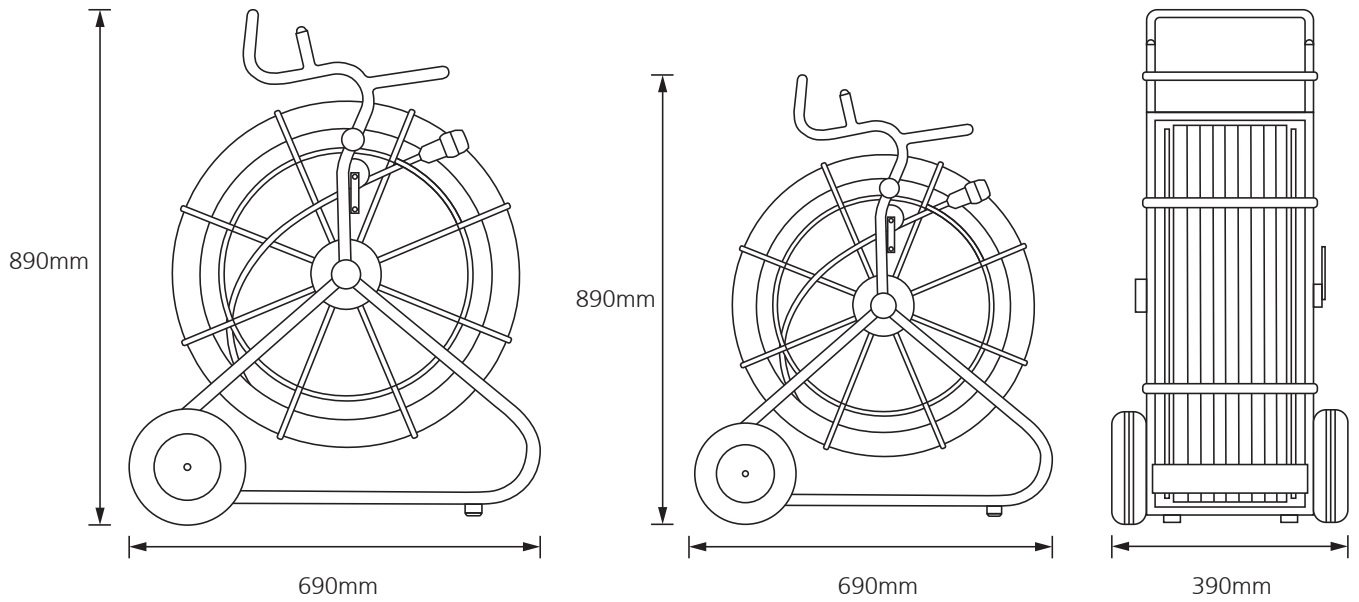
## Compatibility



## Technical Data

	CCP60 / CCP100
Temperature Range	-20°C ~ +50°C
Dimensions H x W x D	890 x 360 x 690mm
Weight (without CCU)	21.3kg
Environmental Protection	IP54

# Compatible Coiler



## 100 Metre

Compatible with CAM026 Pan & Rotate camera.



## 60 Metre

Compatible with CAM025 Axial camera



## Centering Skids

Centering skids optimize your view in pipes 75mm and larger. The CCP coiler comes complete with a set of three skids and a removal tool.

