

Crawler Camera Extender

Minicam's Proteus crawler camera extender moves the camera position 100mm forward. Your 90° downward views now show the invert of the pipe and not the crawler.

Built to Minicam's exacting standards, the camera extender is quick and easy to attach with a simple push, rotate and lock.



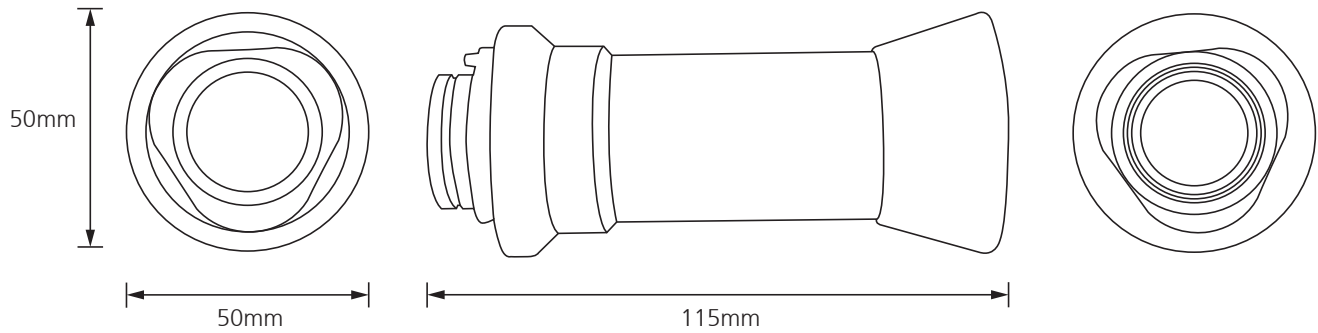
Compatibility



Technical Data

Dimensions (L x W x H)	115 x 50 x 50mm
Weight	302g
Temperature Range	-20°C ~ +50°C
Environmental Protection	Water Resistant

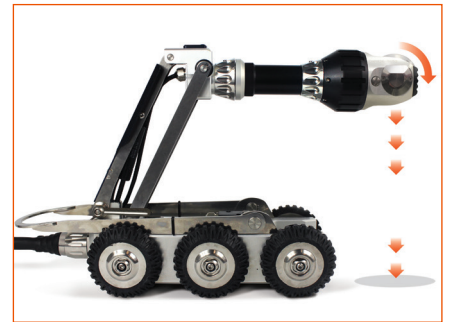
Crawler Camera Extender



Rear Attachment



Front Attachment



Extended View

