

## Pan, Rotate, Zoom and Laser Camera

Optical and digital zoom function to allow distant objects to be viewed in much greater detail. Continuous 360° rotation and +/-135° pan. Integral distance sensor and twin lasers to enable accurate pipe diameter, defect and object measurement.



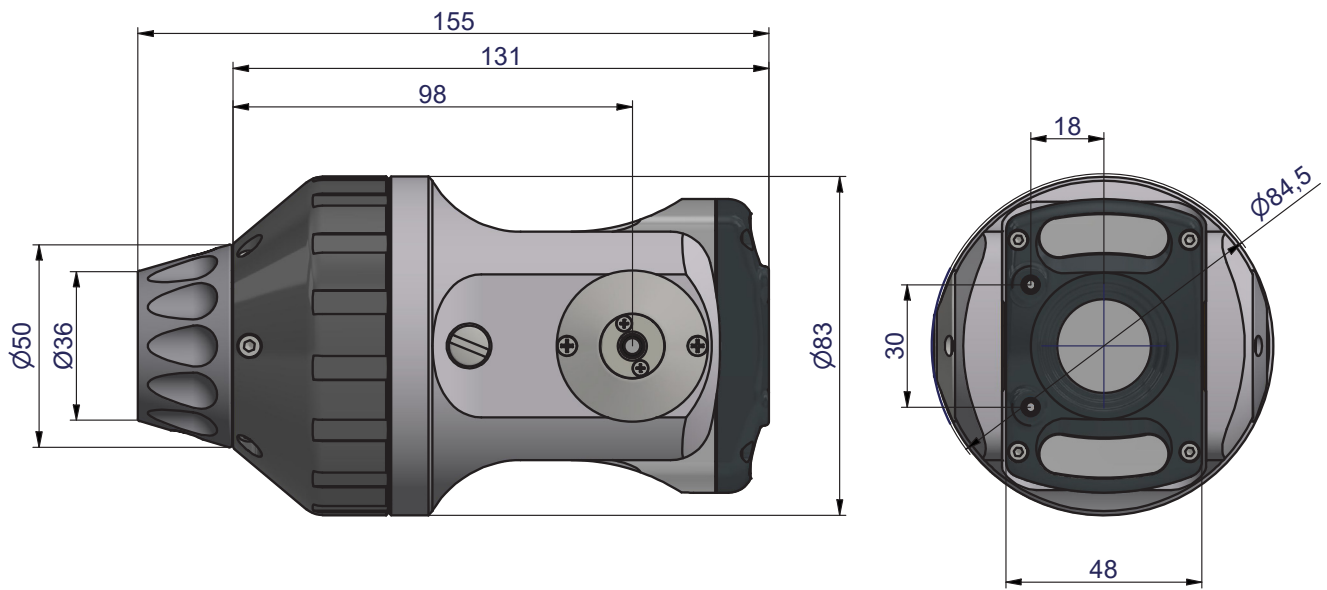
## Compatibility



## Technical Data

|                                 |                          |
|---------------------------------|--------------------------|
| Pipe Diameter Measurement Range | 90 - 600mm               |
| Aligned Laser Spacing           | 30mm                     |
| Camera Sensor                   | 800 HTVL                 |
| Sensitivity                     | <1.0 Lux                 |
| Aperture/Field of view          | F1.8 - F2.9 / 46° - 4.6° |
| Maximum Illumination Intensity  | 12.5k Lux at 150mm       |
| Pressure Depth Rating           | 1 bar (14.50psi)         |
| Dimensions                      | 155 x 84.5 x 84.5mm      |
| Weight                          | 1148g                    |

# Pan, Rotate, Zoom and Laser Camera



Front View



Rear View



Side View

