

LED Pods

Ultra-bright LED auxiliary light head adds extra illumination for inspections in larger pipe diameters. The twin light pods have manually adjustable arms to give full horizontal 180° rotation and 90° upward rotation. The colour rear view backeye camera aids crawler reversing.



Compatibility



Technical Data

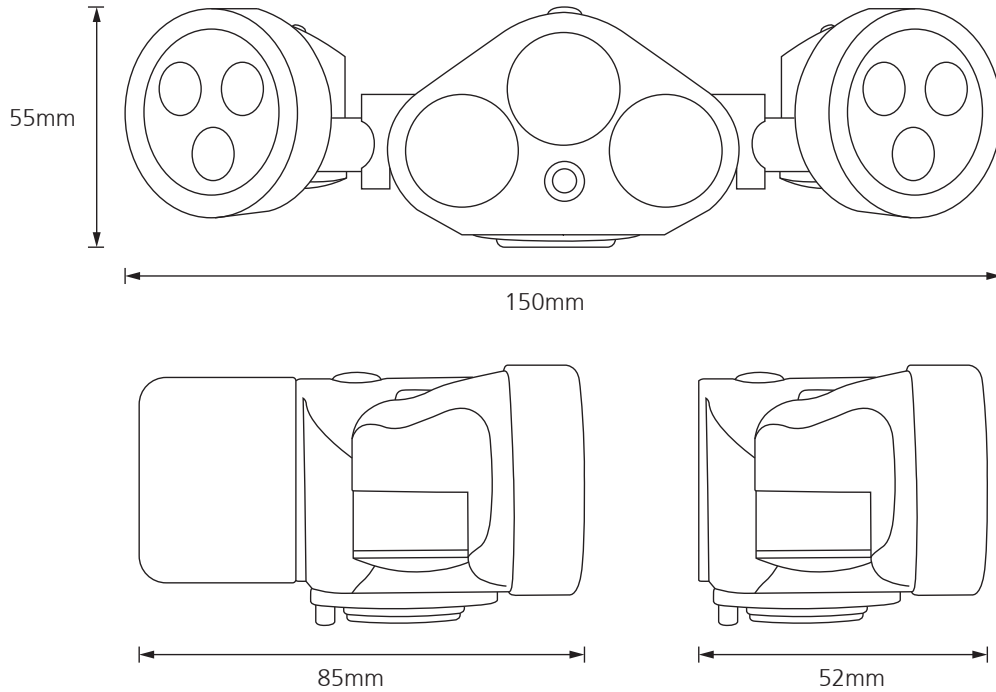
APB300

Pipe Diameter	300mm upwards
Illumination System	9 High Power LEDs
Backeye Camera	YES
Pressure Depth Rating	1 bar (14.50psi)
Dimensions	85 x 150 x 55mm
Weight	480g

APN300

Pipe Diameter	300mm upwards
Illumination System	9 High Power LEDs
Backeye Camera	NO
Pressure Depth Rating	1 bar (14.50psi)
Dimensions	52 x 150 x 55mm
Weight	400g

LED Pods



Also available in ATEX ZONE 1

ATEX LED Pods are engineered, built and tested for safe use in some of the most dangerous situations without compromising any features of regular LED Pods.



Rear View

Optional back-eye camera to capture images from behind the crawler.



LED Lights

