

LED Pods

Ultra-bright LED auxiliary light head adds extra illumination for inspections in larger pipe diameters. The twin light pods have manually adjustable arms to give full horizontal 180° rotation and 90° upward rotation. The colour rear view backeye camera aids crawler reversing.

Auxiliary Light

Stainless steel housing features three high powered ultra-bright LED lights and a scratch resistant sapphire glass to protect the lens.



Compatibility



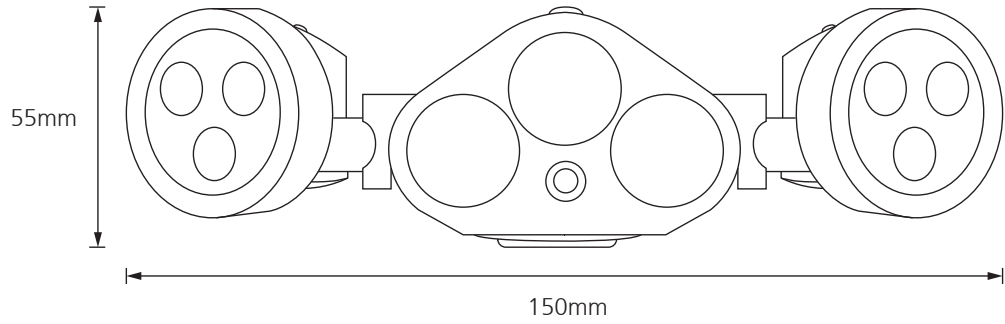
Technical Data

APB300 - ExZ1

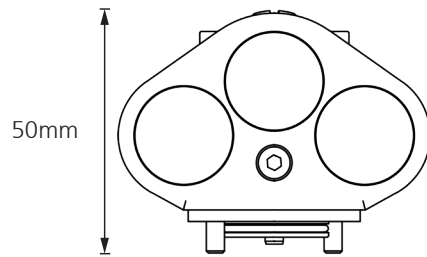
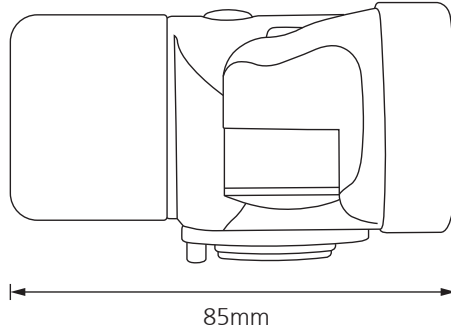
Pipe Diameter	300mm upwards
Illumination System	9 High Power LEDs
Backeye Camera	YES
Pressure Depth Rating	1 bar (14.50psi)
Dimensions	85 x 150 x 55mm
Weight	480g

ALB300 - ExZ1

Pressure Depth Rating	1 bar (14.50psi)
Dimensions	84 x 68 x 50mm
Weight	306g
Backeye Camera	YES
Compatibility	Proteus / Proteus Lite



**APB300 -
ExZ1**



**ALB300 -
ExZ1**

