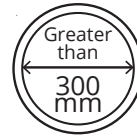


## Auxiliary Light

Stainless steel housing features three high powered ultra-bright LED lights and a scratch resistant sapphire glass to protect the lens.

## Compatibility



## Technical Data

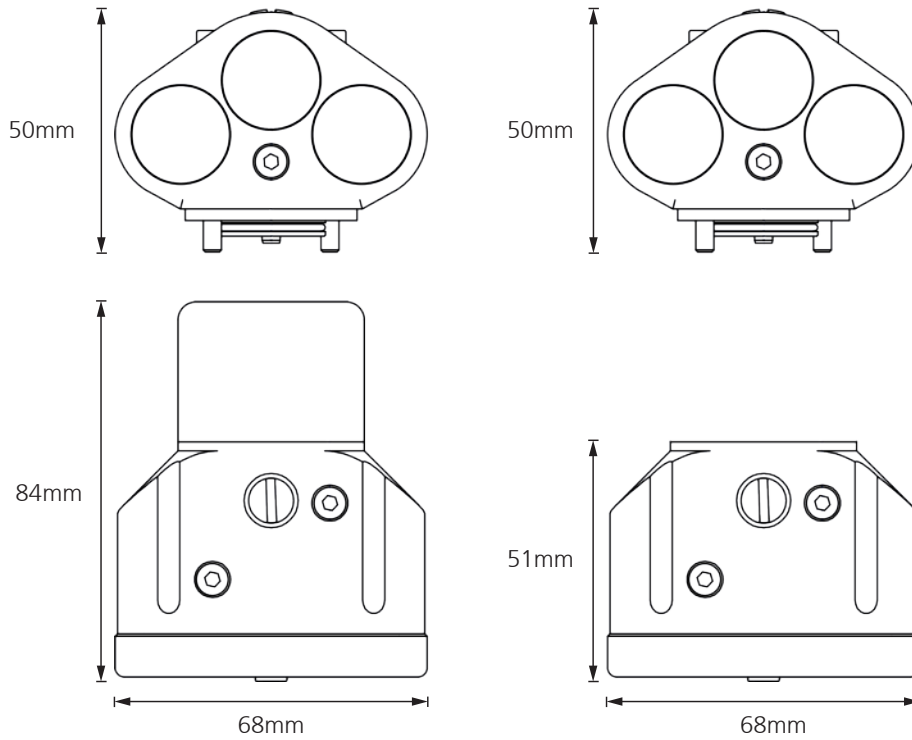
### ALN300

Pressure Depth Rating	1 bar (14.50psi)
Dimensions	51 x 68 x 50mm
Weight	225g
Backeye Camera	NO
Compatibility	Proteus / Proteus Lite

### ALB300

Pressure Depth Rating	1 bar (14.50psi)
Dimensions	84 x 68 x 50mm
Weight	306g
Backeye Camera	YES
Compatibility	Proteus / Proteus Lite

# Auxiliary Light



Stainless steel housing features 4 high powered ultra-bright LED lights and a scratch resistant sapphire glass to protect the lens.

Stainless steel housing features 4 high powered ultra-bright LED lights and a scratch resistant sapphire glass to protect the lens.

Optional back-eye Camera to capture images from behind the crawler, invaluable for reverse steering.

