

## Proteus Crawler

Designed for larger pipe diameters with high flow rates, this heavy duty crawler makes easy work of inspections in more difficult environments.

### ALL STANDARD FEATURES:

- Continuous monitoring of speed, internal pressure, inclination and temperature
- Dual Axis Inclination Sensor
- Single Auxiliary Light/Backeye Mounting
- Multi-Frequency Sonde 33kHz / 512Hz / 640Hz
- Steerable High Torque
- All-Wheel Drive
- Robust Housing
- 1 bar Pressure Tight
- Quick Change Wheel Lock
- In-Built Lowering Arm
- Heavy Duty Camera Connector
- Protective Front Connector Cap
- Protective Rear Connector Cap
- Lowering Rope
- Tools

### PLUS

- 6x QRWX140SR 140mm Rubber Wheels
- Motorised Elevator - Range 135-398mm
- Heavy Duty Rear Connector

### OPTIONAL

- Wide axle Balloon Wheels



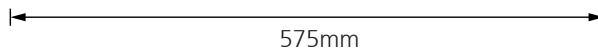
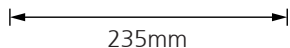
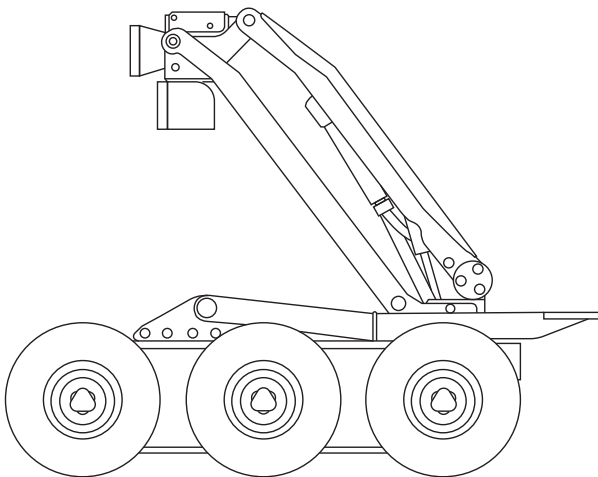
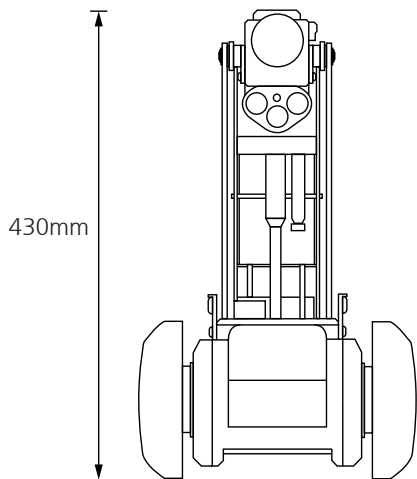
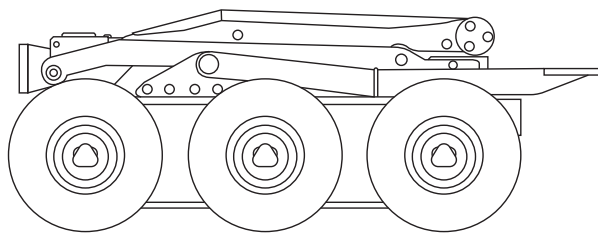
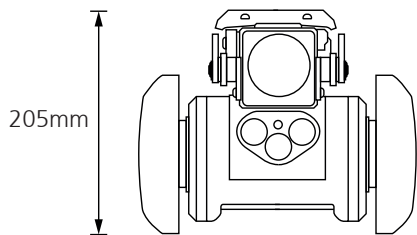
## Compatibility



## Technical Data

Pipe Sizes	from 300mm-1000mm to 2200mm with Elevation Platform CEP300
Weight	32.0kg

# Proteus Crawler



## Soft Black Rubber Wheels

Rich black, soft rubber tyres developed to provide improved traction in regular pipes.

Available in 4 sizes and Wide Axle.

112021 © 2022 Minicam

