

Push Camera Systems

SOLO PRO+ has all you need to inspect pipes, document your findings, and create detailed reports for on-site delivery. It captures detailed footage under tough conditions, and its interface offers robust tools – including observation entry and reporting options – and accepts USB and SD media for easy offload of data, video, images and reports. SOLO PRO+ is WiFi enabled to allow remote access to stored images and data.



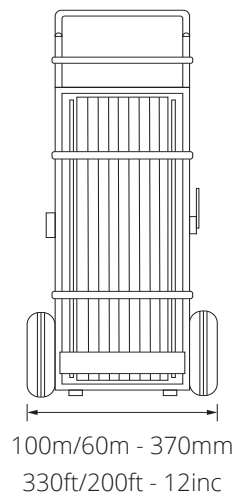
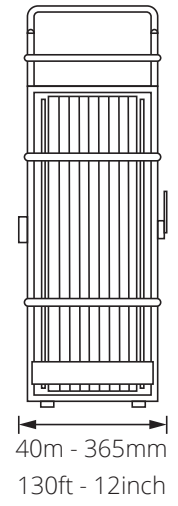
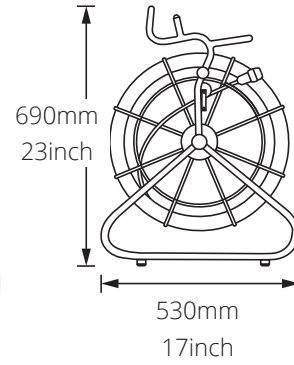
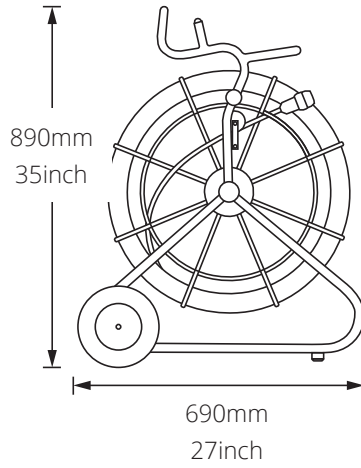
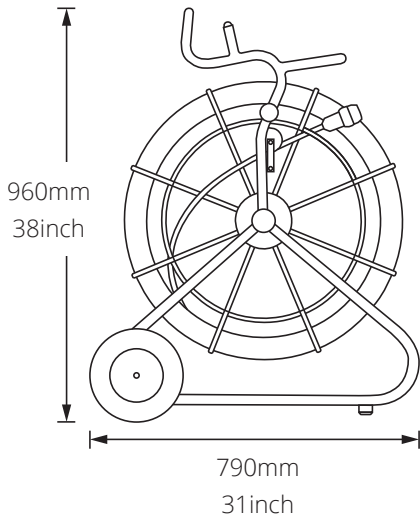
Compatibility



Technical Data

Construction	Welded Steel
Finish	Powder Coated
Distance Counter Units	Feet, Metres
Controls	Friction Brake
Weight	40m - 15kg / 60m - 20kg / 100m - 30kg 130ft - 33lb / 200ft - 44lb / 330ft - 66lb
Sonde	33kHz / 512Hz / 640Hz

Push Camera Systems



100 METRE - 330 FT



60 METRE - 200 FT



40 METRE - 130 FT

112021 © 2022 Minicam

